

---

## SECTION 9M

# EXTERIOR TRIM

## TABLE OF CONTENTS

<b>Specifications</b> .....	<b>9M-1</b>	<b>General Description and System</b>	
Fastener Tightening Specifications .....	9M-1	<b>Operation</b> .....	<b>9M-5</b>
<b>Maintenance and Repair</b> .....	<b>9M-2</b>	Emblems and Lettering .....	9M-5
On-Vehicle Service .....	9M-2	Mud Guards .....	9M-5
B-Pillar Molding .....	9M-2		
Roof Molding .....	9M-2		
Rocker Panel Molding .....	9M-3		
Mud Guards .....	9M-4		

## SPECIFICATIONS

### FASTENER TIGHTENING SPECIFICATIONS

Application	N•m	Lb-Ft	Lb-In
B-Pillar Molding Screws	4	–	35
Mud Guard Bolts	2	–	18

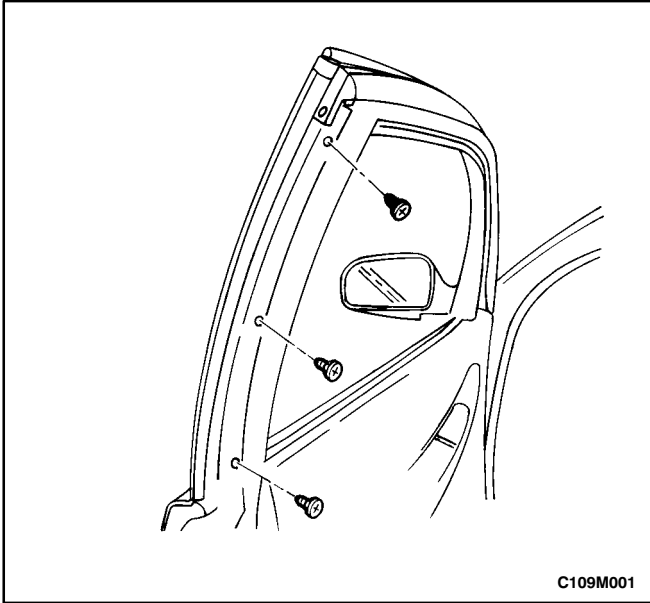
## MAINTENANCE AND REPAIR

### ON-VEHICLE SERVICE

#### B-PILLAR MOLDING

##### Removal Procedure

1. Reposition the weatherstrip in order to access the screws.
2. Remove the screws and the B-pillar molding.



##### Installation Procedure

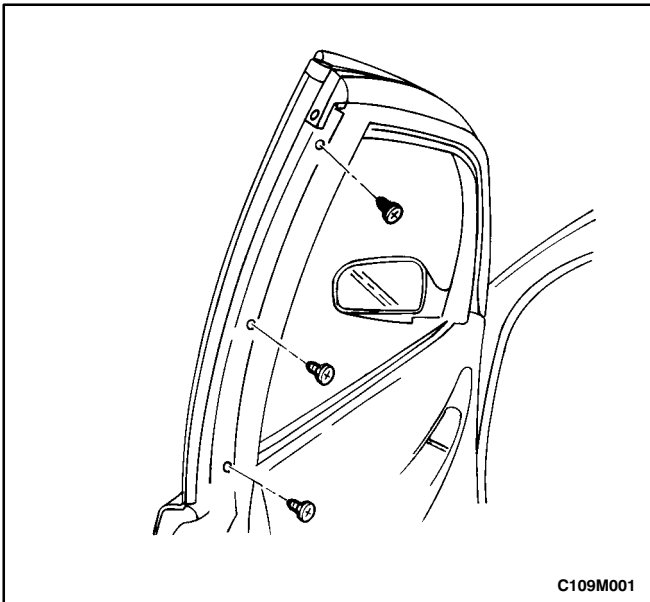
**Notice:** Dissimilar metals in direct contact with each other may corrode rapidly. Make sure to use the correct fasteners to prevent premature corrosion.

1. Install the screws and the B-pillar molding.

##### Tighten

Tighten the B-pillar molding screws to 4 N•m (35 lb-in).

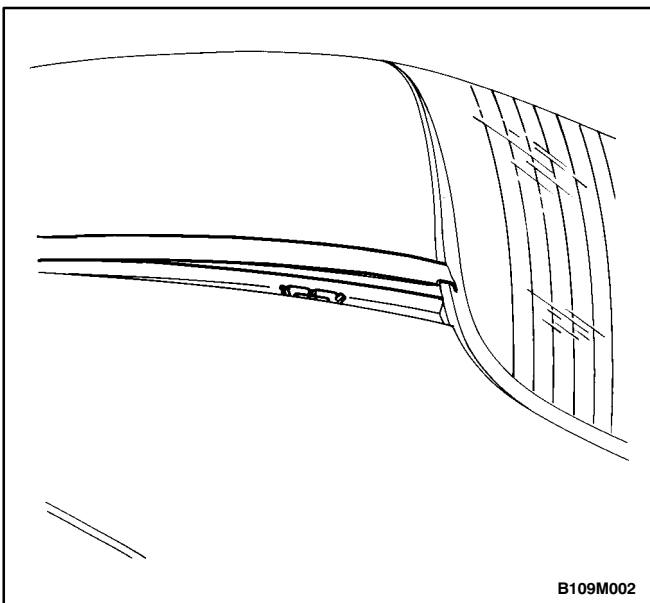
2. Install the weatherstrip to its original position.

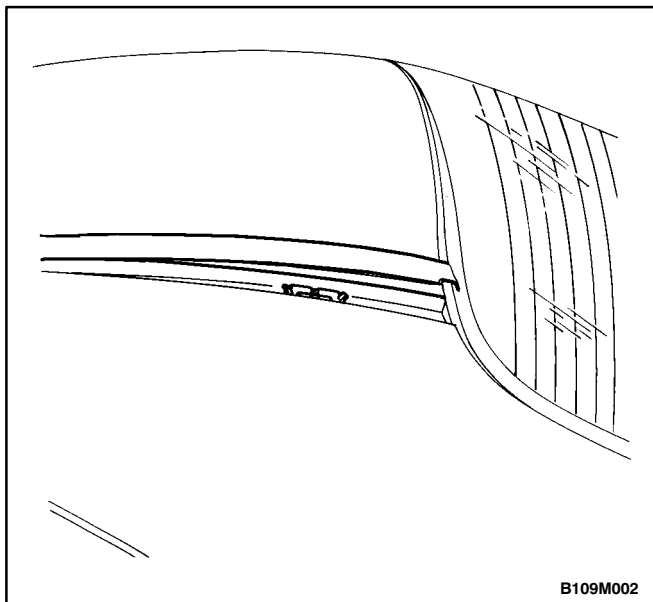


#### ROOF MOLDING

##### Removal Procedure

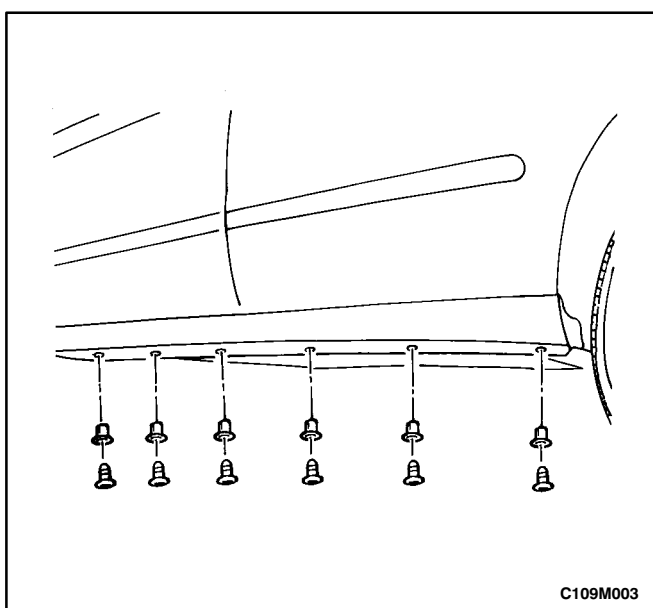
1. Remove the roof molding from the metal clips.





### Installation Procedure

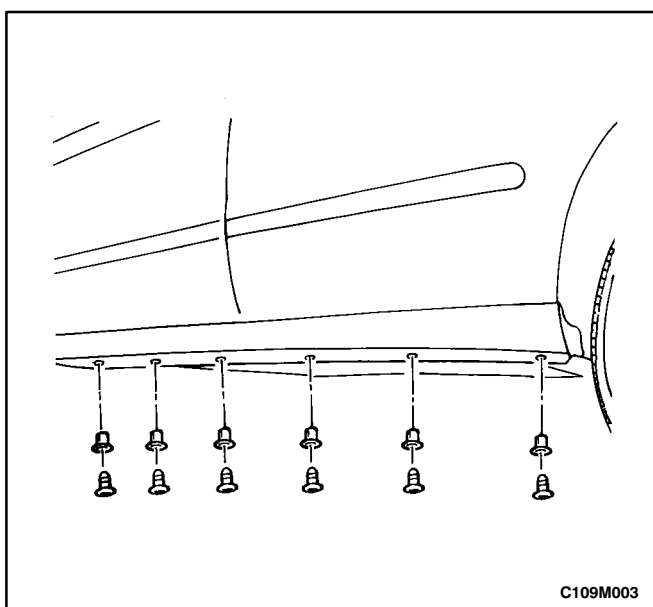
1. Press the roof molding onto the metal clips.



### ROCKER PANEL MOLDING

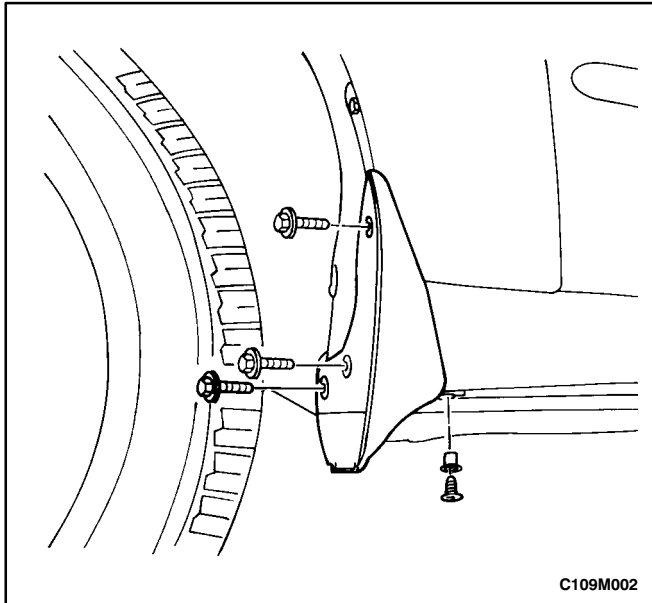
#### Removal Procedure

1. Remove the front mud guards. Refer to "Mud Guards" in this section.
2. Remove the screws and the rocker panel molding.



#### Installation Procedure

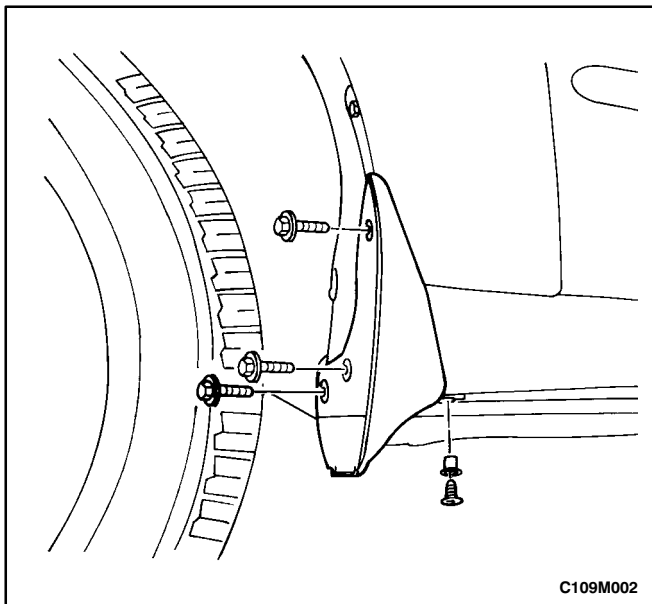
1. Install the rocker panel molding with the screws.
2. Install the front mud guards. Refer to "Mud Guards" in this section.



## MUD GUARDS

### Removal Procedure

1. Remove the screw and the bolts and the mud guard.



### Installation Procedure

**Notice:** Dissimilar metals in direct contact with each other may corrode rapidly. Make sure to use the correct fasteners to prevent premature corrosion.

1. Install the mud guard with the bolts and the screw.

### Tighten

Tighten the mud guard bolts to 2 N•m (18 lb-in).

---

## **GENERAL DESCRIPTION AND SYSTEM OPERATION**

### **EMBLEMS AND LETTERING**

The emblems and lettering on the vehicle are attached by adhesive. The company emblem appears on the hood. The lettering, which appears in several places on

the body of the vehicle, features the model, the grade, and the company name.

### **MUD GUARDS**

Front and rear mud guards are standard equipment on all models. Mud guards will help prevent an excessive buildup of mud on the body.